

UPA N

Approved for
Drinking Water
AS/NZS 4020

2
YEAR
WARRANTY

HOT WATER PRESSURE BOOSTER

WATER SOURCE



Hot Water

APPLICATION



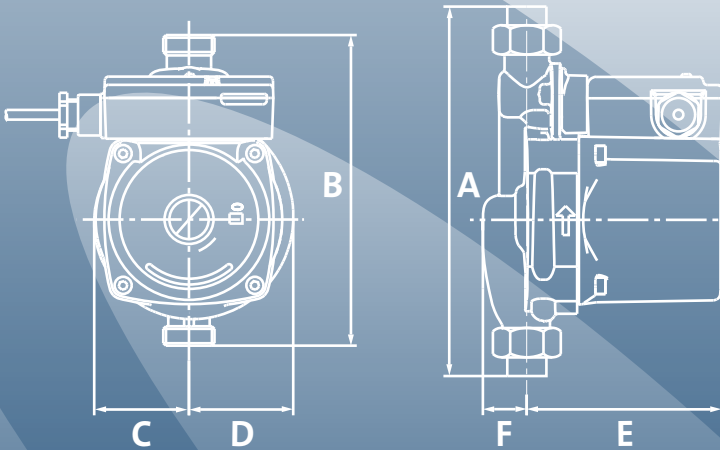
Mains
Boosting

- Increased hot water pressure for a single outlet
- Hygienic, stainless steel construction throughout
- Built-in controller so no extra wiring required, keeping installation costs low
- Ultra quiet operation that won't disturb your family
- Option of automatic or manual operation



FIND SPACE FOR YOUR PUMP

The UPA N range has been designed to fit into confined spaces. See below the space required for installation.



Model	Pipe Connections	Dimensions (mm)					
		A (Port to Port)	B (h)	C (w1)	D (w2)	E (d1)	F (d2)
UPA N 15-90	3/4"	214	160	50	54	103	23

be
think
innovate

GRUNDFOS