

# UNILIFT KP

## SUBMERSIBLE STAINLESS STEEL DRAINAGE PUMP



### WATER SOURCE



Clean Water      Storm/  
Grey Water

### APPLICATION



Clean Water  
Drainage      Storm/Grey  
Water Handling



SCAN THE QR CODE  
TO LINK TO GRUNDFOS  
PRODUCT CENTER

The Grundfos UNILIFT KP is a highly durable submersible pump constructed from stainless steel, making it ideal for all types of grey water and storm water handling around the home and in light industrial applications.

- **High corrosion resistance** - Constructed of high quality industrial grade components. All parts in contact with water are made from 304 stainless steel.
- **Options for confined areas** - A vertical Niro Float Switch option is available for installation into confined pits where a regular float may not operate properly
- **Suitable for fully or partially submerged use** - Comes with an integrated motor cooling jacket, allowing the pump to operate for extended periods whilst only partly submerged
- **Light weight and portable** - At a weight of no more than 7 kg the UNILIFT KP can be used in either a permanent installation or as a portable drainage pump
- **Easy submerged installation – plug & pump** - Connect the pump outlet to the pipework, plug into a power outlet and you're ready to pump



### PUMP SIZING

	UNILIFT KP 150	UNILIFT KP 250	UNILIFT KP 350
	32 mm pipework 1.4 l/sec flow rate	32 mm pipework 1.4 l/sec flow rate	32 mm pipework 2.0 l/sec flow rate
Vertical Height	Maximum Horizontal Pipe Length		
5 m		1 m	5 m
4 m		10 m	9 m
3 m		18 m	13 m
2 m	9 m	26 m	17 m
1 m	17 m	35 m	22 m

Flow based on at least 1 m/sec velocity

### MAXIMUM PARTICLE SIZE

UNILIFT KP	UNILIFT AP 12	UNILIFT AP 35 & AP 35B	UNILIFT AP50 & AP50B
10 mm	12 mm	35 mm	50 mm

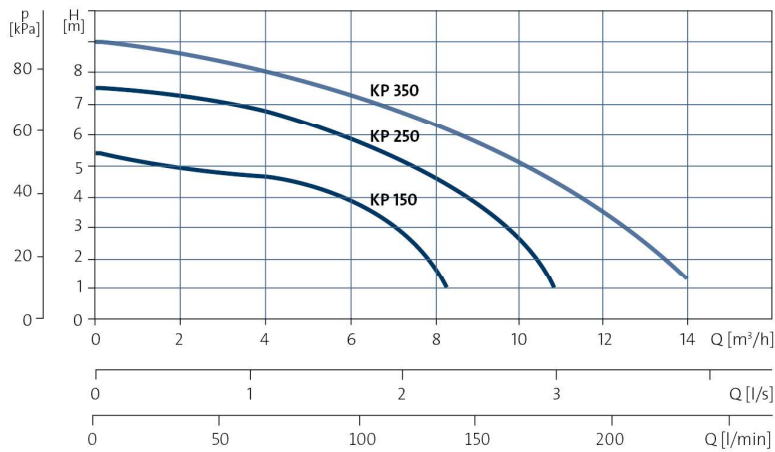
### PROTECTION & CONTROL\*

	UNILIFT KP (No Float)	UNILIFT KP (Float)
Auto Start/Stop by Float Switch		✓
Non-Return Valve		✓
Motor Cooling Jacket	✓	✓
Automatic Restart	✓	✓

\*For full explanation of Protection and Controls see page 65-66

# TECHNICAL & PERFORMANCE DATA

## PERFORMANCE CURVE



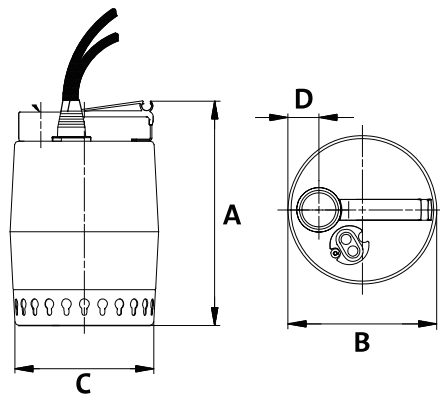
## OPERATING CONDITIONS

Liquid Temperature	0°C to +50°C
Max. Particle Size	10 mm
Max. Installation Depth	10 m
Minimum Pumping Level	Down to 100 mm
pH value of pumped liquid	4 to 9

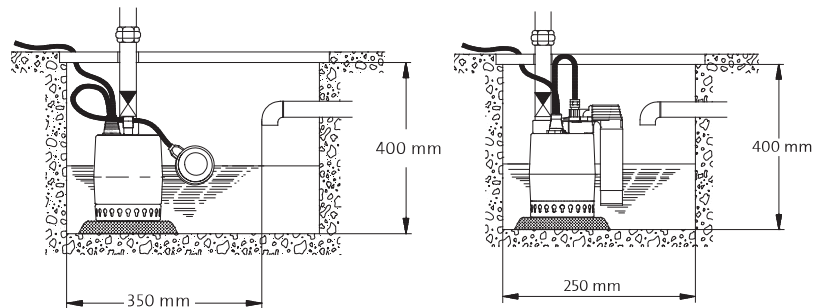
## TECHNICAL DATA

Power Supply Voltage	220-240 Volt, 50 Hz
Power Supply Cable	5 m with plug
Enclosure Class	Suitable for submerged installation (IP68)
Approvals and Markings	C-Tick Compliance
Impeller Type	Semi-open

## PHYSICAL ATTRIBUTES



## MINIMUM PIT DIMENSIONS UNILIFT KP - NORMAL/VERTICAL FLOAT



Model	Motor Power P2 (kW)	Connection Outlet	Dimensions (mm)				Weight (kg)
			A (h)	B (w1)	C (w2)	D (outlet)	
UNILIFT KP 150	0.30	1 1/4" Female	225	140	149	31	7
UNILIFT KP 250	0.48	1 1/4" Female	225	140	149	31	7
UNILIFT KP 350	0.70	1 1/4" Female	235	140	149	31	7