

# PRESSURE MANAGER

## AUTOMATIC PUMP CONTROLLER



SCAN THE QR CODE TO LINK TO GRUNDFOS PRODUCT CENTER

The Grundfos Pressure Managers PM1 and PM2 are intelligent pump controllers that make an excellent addition to your domestic pressure pump, providing control automation and ongoing protection.

### PRESSURE MANAGER PM1

The PM1 will automatically start and stop the pump when outlets are turned on or off. The PM1 offers a basic level of pump protection, preventing dry-running and anti-cycling protection, which helps with detecting system leaks or dripping taps.

### PRESSURE MANAGER PM2

The PM2 will automatically start and stop the pump when outlets are turned on or off. It includes the same pump protections as the PM1 but also has the option to prevent the pump from running continuously for more than 30 minutes.

The PM2 also offers a greater level of control, allowing the user to adjust the starting pressure.



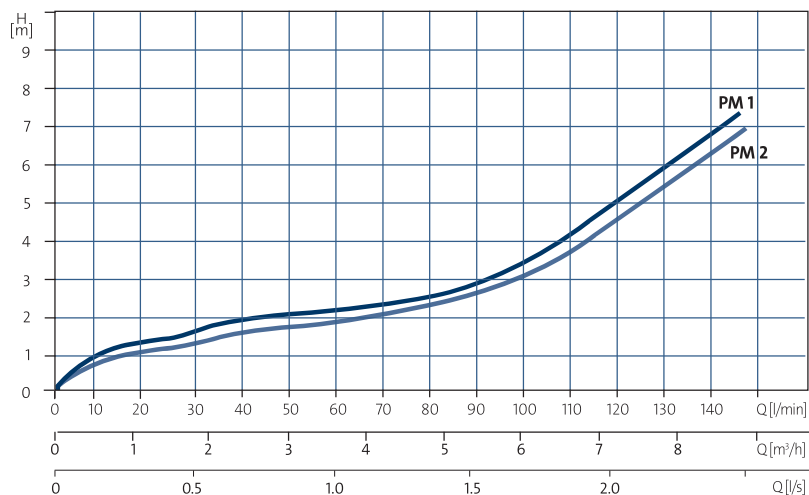
### PROTECTION & CONTROL\*

	 Pressure Manager PM1	 Pressure Manager PM2
Power On Indicator LED	✓	✓
Pump On Indicator LED	✓	✓
Alarm LED	✓	✓
Auto Start/Stop	✓	✓
Non-Return Valve	✓	✓
Dry Run Protection	✓	✓
Anti-Cycling Protection	✓	✓
Internal Pressure Tank		✓
Max. Continuous Run Time (30 Min.)		✓
Adjustable Start Pressure		✓
Pressure Indication		✓
Automatic Restart		✓

\*For full explanation of Protection and Controls see page 65-66

# TECHNICAL & PERFORMANCE DATA

## PRESSURE LOSS



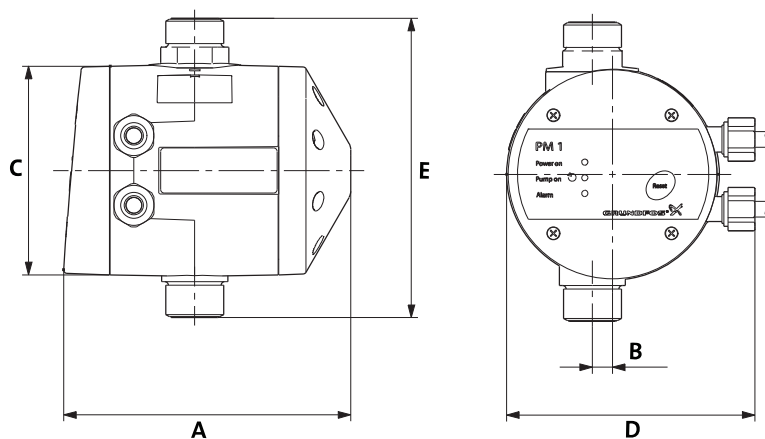
## OPERATING CONDITIONS

<b>Ambient Temperature</b>	0°C to +50°C
<b>Liquid Temperature</b>	0°C to +40°C
<b>Starting Pressure</b>	PM1-1.5: 1.5 bar PM1-2.2: 2.2 bar PM2 1.5-5: 1.5 – 5 bar adjustable
<b>System Pressure</b>	Max. 10 bar

## TECHNICAL DATA

<b>Power Supply Voltage</b>	PM1 - 220-240 Volt, 50/60 Hz – 10A Max PM2 - 220-240 Volt, 50/60 Hz – 10A Max
<b>Enclosure Class</b>	Undercover installation recommended (IP65)
<b>Approvals and Markings</b>	Approved for Drinking Water AS/NZS 4020

## PHYSICAL ATTRIBUTES



Model	Connections		Dimensions (mm)				
	Inlet	Outlet	A (l)	B (w)	C (h)	D (inlet)	E (outlet)
PM 1-1.5	1" Male	1" Male	165	12	120	143	171
PM 1-2.2	1" Male	1" Male	165	12	120	143	171
PM 2-1.5-5	1" Male	1" Male	175	12	120	143	171