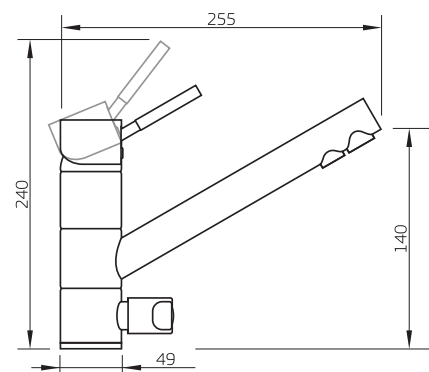


ESR2 Filter



TRIPLA T1

**GENERAL INFO**

**DESIGNED FOR RAINWATER SUPPLIES**

**Undersink UV Water Filter System With Tripla T1 LED 3-Way Mixer Tap**

The Puretec ESR2-T1 systems incorporates Puretec Radfire’s ultraviolet technology and Tripla’s triple-action tap all-in-one system. This system is designed to kill 99.9% of bacteria in untreated water supplies. The Tripla mixer tap gives you hot, cold, filtered/or rainwater water, all from just one mixer. There’s absolutely no mixing of filtered and unfiltered water.

**SPECIFICATIONS**

Model:	<b>ESR2-T1</b>
Mixer Tap Style	<b>3-Way LED Mixer Tap</b>
Mixer Tap Model	<b>TRIPLA-T1</b>
WELS 4 Star Rated	<b>7.5 Litres/Minute</b>
Mixer Tap WaterMark	<b>Cert No. 23033 AS/NZ 3718:2005</b>
Outlets:	<b>Hot/Cold &amp; Separately Filtered</b>
Replacement parts and cartridges:	
Sediment Removal	<b>PL051</b>
Taste & Odour Removal	<b>MC011-S</b>
Lamp	<b>1 x Puretec RL2</b>
Maximum Temperature:	<b>52°C</b>
Maximum Pressure:	<b>520 kPa</b>
Tap Hole:	<b>33mm Diameter</b>
Filter WaterMark:	<b>AS/NZS 3497 Licence No. WM 74617 ApprovalMark</b>
Micron Rating:	<b>1 Micron*</b>
Warranty:	<b>6 years^</b>

**FEATURES & BENEFITS**

- 3-in-1 tap design - no mixing of filtered or unfiltered water.
- Hot, cold, filtered/or rainwater water all from just one mixer.
- Filter change reminder light – LED changes from blue to red.
- Turns your rainwater into pure, safe, delicious and healthy drinking water anytime!
- Specifically designed to kill harmful microorganisms in untreated water supplies.
- Uses Puretec Radfire™ ultraviolet technology to kill 99.9% of bacteria - eco-friendly and does not use chemicals.
- Removes sediment, dirt, rust, bad taste and odour. Silver impregnated to prevent bacterial growth.
- WaterMark approved.

*Important Note: Use only genuine Puretec replacement cartridge. \*Micron rating is nominal, PL051 is 5 micron, MC011-S is 1 micron. ^Tripla Tapware Warranty is 1 year parts and labour, plus 5 years parts only. Puretec UV Water Filter Systems Warranty is 1 year parts and labour, plus 9 years parts only and applies to Puretec Systems when used in conjunction with a Puretec filter cartridge. Excludes cartridges.*

For more information contact your local stockist or visit us at [puretecgroupp.com](http://puretecgroupp.com)  
Australia **1300 140 140** | New Zealand **0800 130 140**

**ADDITIONAL INFORMATION**

**Tripla T1 3-Way Mixer Tap**

Hot, cold, filtered and/or rainwater, but just one distinguished mixer. Use the main handle to control your hot and cold mains water, or turn the lower handle clockwise for filtered tank/mains. Mains and filtered have separate outlets, with independent tubes inside the tap, so there's no mixing of filtered and unfiltered water.

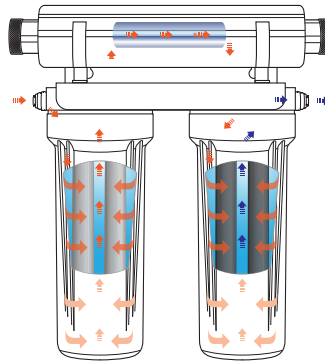
**Quick, Easy Undersink Installation**

The Ecotrol™ ESR2 filter system easily fits under your existing kitchen bench. All plumbing fittings are included for easy installation. It also comes with an LED faucet with filter change reminder light that tells you when to replace your cartridges.

**Longer Filter Life**

The Ecotrol™ ESR2 incorporates Puretec's long life filter technology, so you can go longer between filter replacements.

**ESR2 FILTRATION TECHNOLOGY**



**Stage 1**

- Removes the finest particles
- Clarifies the water
- Removes sediment, rust, sand, silt & algae

**Stage 2**

- Kills harmful microorganisms including E.coli, Cryptosporidium and Giardia cysts

**Stage 3**

- Physically filters harmful bacteria
- Silver impregnated to prevent bacterial growth
- Removes bad taste and odour