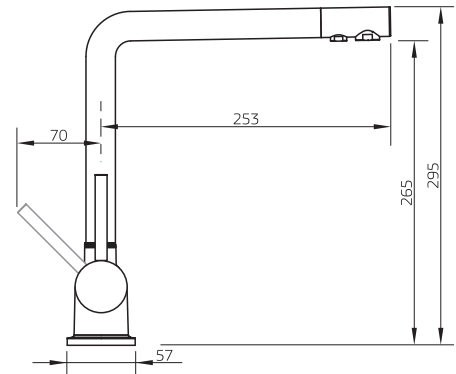


ESR2 Filter



TRIPLA T6

GENERAL INFO

DESIGNED FOR RAINWATER SUPPLIES

Undersink UV Water Filter System with Tripla T6 LED 3-Way Mixer Tap

The Puretec ESR2-T6 systems incorporates Puretec Radfire's ultraviolet technology and Tripla's triple-action tap all-in-one system. This system is designed to kill to kill 99.9% of bacteria in untreated water supplies. The Tripla mixer tap gives you hot, cold, filtered/or rainwater water, all from just one mixer. There's absolutely no mixing of filtered and unfiltered water.

SPECIFICATIONS

Model:	ESR2-T6
Mixer Tap Style:	3-Way LED Mixer Tap
Mixer Tap Model	TRIPLA-T6
WELS 5 Star Rated	5 Litres/Minute
Mixer Tap WaterMark	Cert No. 23033 AS/NZ 3718:2005
Outlets:	Hot/Cold & Separately Filtered
Replacement parts and cartridges:	
Sediment Removal	PL051
Taste & Odour Removal	MC011-S
Lamp	1 x Puretec RL2
Maximum Temperature:	52°C
Maximum Pressure:	520 kPa
Tap Hole:	33mm Diameter
Filter WaterMark:	AS/NZS 3497 Licence No. WM 74617 ApprovalMark
Micron Rating:	1 Micron*
Warranty:	6 years^

FEATURES & BENEFITS

- 3-in-1 tap design - no mixing of filtered or unfiltered water.
- Hot, cold, filtered/or rainwater water all from just one mixer.
- Filter change reminder light – LED changes from blue to red.
- Turns your rainwater into pure, safe, delicious and healthy drinking water anytime!
- Specifically designed to kill harmful microorganisms in untreated water supplies.
- Uses Puretec Radfire™ ultraviolet technology to kill 99.9% of bacteria - eco-friendly and does not use chemicals.
- Removes sediment, dirt, rust, bad taste and odour. Silver impregnated to prevent bacterial growth.
- WaterMark approved.

Important Note: Use only genuine Puretec replacement cartridge. *Micron rating is nominal, PL051 is 5 micron, MC011-S is 1 micron. ^Tripla Tapware Warranty is 1 year parts and labour, plus 5 years parts only. Puretec UV Water Filter Systems Warranty is 1 year parts and labour, plus 9 years parts only and applies to Puretec Systems when used in conjunction with a Puretec filter cartridge. Excludes cartridges.

ADDITIONAL INFORMATION

Clean Sleek Mixer Tap

The clean sleek lines of the Tripla T6 have created a minimalistic tap that whilst providing the practicality of lots of clearance for jugs and washing up, it still complements any modern kitchen décor. The handle with the neatly integrated LED light can be easily turned to operate the filtered water and when the filter is due to be replaced the light turns from blue to red. As with all Puretec Tripla taps there is no mixing of filtered and unfiltered water.

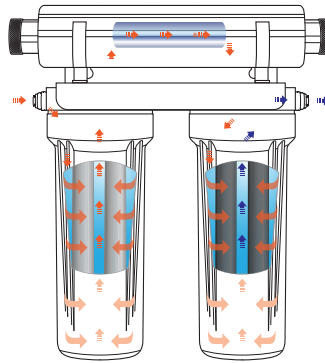
Quick, Easy Undersink Installation

The Ecotrol™ ESR2 filter system easily fits under your existing kitchen bench. All plumbing fittings are included for easy installation. It also comes with an LED faucet with filter change reminder light that tells you when to replace your cartridges.

Longer Filter Life

The Ecotrol™ ESR2 incorporates Puretec's long life filter technology, so you can go longer between filter replacements.

ESR2 FILTRATION TECHNOLOGY



Stage 1

- Removes the finest particles
- Clarifies the water
- Removes sediment, rust, sand, silt & algae

Stage 2

- Kills harmful microorganisms including E.coli, Cryptosporidium and Giardia cysts

Stage 3

- Physically filters harmful bacteria
- Silver impregnated to prevent bacterial growth
- Removes bad taste and odour