



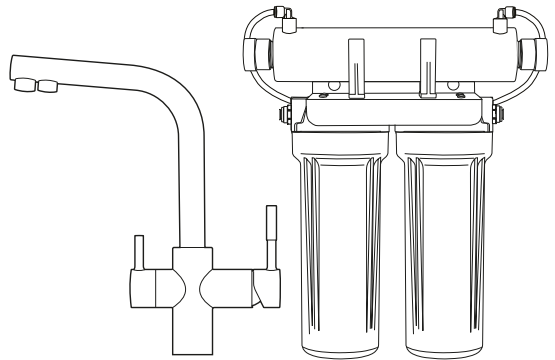
Puretec[®]
PERFECTING WATER

⚠ CAUTION

**DO NOT OVERTIGHTEN.
DO NOT USE
LIQUID SEALANTS.**



**SURGE PROTECTION
REQUIRED /
NO EXTENSION CORDS.**



User Guide

ESR2 Tripla™ Series

Undersink UV Filter System with Tripla LED Mixer Tap



WaterMark

AS/NZS 3497
Licence No. WM 74617
Australian Certification
Services

What's Inside

Operation	3
Use Guidelines	3
PART 1 Mixer Tap Assembly & Installation	
Mixer Tap Installation Guide.....	4
Mixer Tap Connections.....	6
Battery Installation	8
Mixer Tap Servicing.....	9
Replacement of Ceramic Disc Cartridge(s).....	9
PART 2 Filter System Installation	
Installation Requirements	10
Replacement Guide	11
Installation Procedure.....	11
Quick Connect Fittings.....	13
UV Lamp Installation/Replacement.....	15
Cartridge Install/Changeout.....	16
Quartz Sleeve Maintenance	16
Tripla T1 Parts Description.....	17
Tripla T2 Parts Description.....	18
Tripla T3 Parts Description.....	19
Tripla T4 Parts Description.....	20
Tripla T5 Parts Description.....	21
Tripla T6 Parts Description.....	22
Warranty.....	23

Puretec Customer Service

The Puretec ESR2 Tripla™ is specifically designed to kill harmful bacteria in untreated water supplies. It uses a natural purification process that's eco-friendly and chemical-free. It includes pre-filtration to ensure that particulate matter does not shield micro-organisms from the UV light.

The system is designed for mains and rainwater supply but can be used in other situations. For other types of water supply please contact your local Puretec stockist or call our Puretec Customer Service Helpline at **1300 140 140** (Australia) or **0800 130 140** (New Zealand).

The system is designed for rain tank or metropolitan supply water but can be used in other situations. For other types of water supply please contact your local Puretec stockist or call our Puretec Customer Service Helpline prior to installing the tap on **1300 140 140** (Australia) **0800 130 140** (New Zealand).

Caution: The effectiveness of any water treatment system is affected by variances in incoming water quality. Do not use with unknown or contaminated water that does not fit the parameters of the system/product as specified by Puretec, for further assistance, contact the Puretec Customer Service Helpline on 1300 140 140 (AU) or 0800 130 140 (NZ).

Operation

The Puretec system is designed to run economically for many years, dependent on the initial installation and periodical maintenance.

Flush systems for 10 minutes after any period of non-use more than 2 days. For a period of non-use of 2 weeks or more, it may be necessary to replace cartridges.

Chrome Plated Surface - should only be cleaned with liquid detergent or soap and water. Under no circumstance should any abrasive or acid base cleaning agents be used.

Installation Note: A water filter system/tap, like any product, has a limited life and may eventually fail. Also sometimes failure happens early due to unforeseen circumstances. To avoid possible property damage, this product should be regularly examined for leakage and/or deterioration and replaced when necessary. A drain pan, plumbed to an appropriate drain or outfitted with a leak detector, should be used in those applications where any leakage could cause property damage, and/or the water supply should be turned off if no one is home/present.

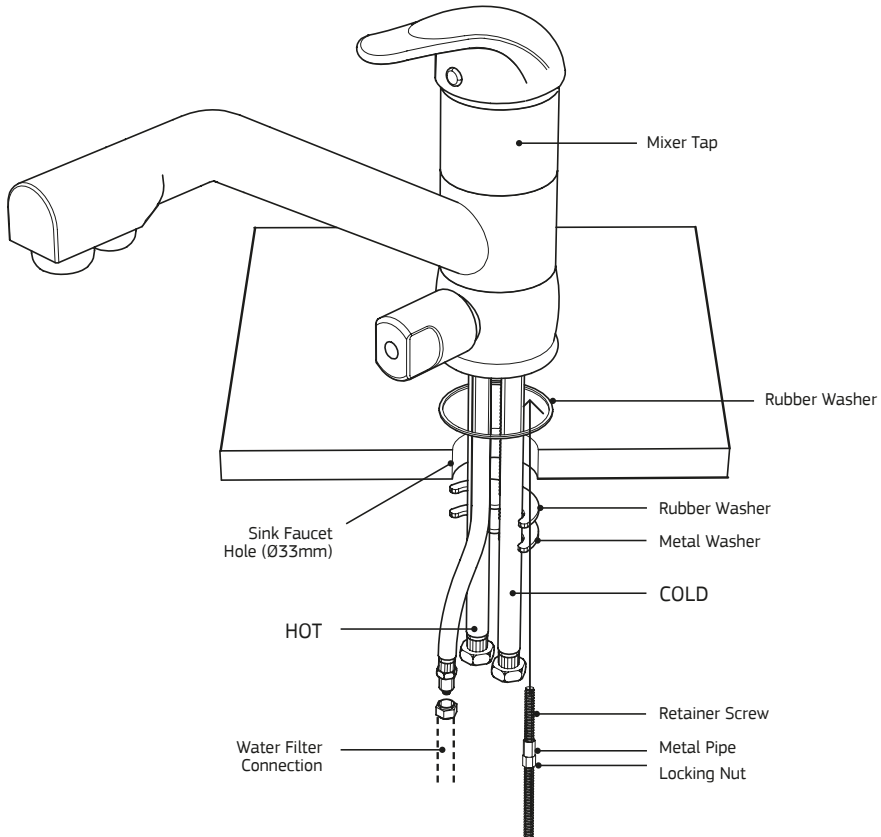
INSTALLATION SHOULD BE COMPLETED BY QUALIFIED TRADESPEOPLE. FAULTY OPERATION DUE TO UNQUALIFIED PERSONS WILL RESULT IN VOIDED WARRANTY COVERAGE.

Use Guidelines

- Min/Max operating pressure 300 - 500 kPa.
- Min/Max temperature 0 - 52°C (protect from freezing).
- This system must be installed according to local plumbing codes on the cold water line.
- **Puretec recommends the use of a surge protector (not supplied) or warranty may be voided.**
- **Do not use long extension leads as they may cause substantial voltage drop and/or poor lamp performance.**
- Be sure to change the filter cartridge at least every 6 - 12 months which ever occurs first; or whenever you detect a change in taste, odour, or decrease in flow.
- UV Lamps must be replaced annually in order to maintain 99.9% kill rate of bacteria.

PART 1 - Mixer Tap Assembly & Installation

Fig. 1 - Mixer Tap Installation Guide



Note: It is important to flush out the supply pipes to the mixer before connecting the flexible hoses, with the initial installation, so no foreign matter can enter into the cartridges.

A Puretec Water Filter is highly recommended for product longevity.

Fig. 2 - Tap Assembly

Step 1. Connect the hoses to the faucet and tighten them. Refer to page 7 for connection patterns.

Only use hand to screw the flexible hose. Do not over tighten. Don't use any tools.

Step 2. Put brass base with o-ring to the bottom of the faucet.

Step 3. Put the hoses through the basin or sink. Required through hole size is $\varnothing 33\text{mm}$.

Step 4. Place the retainer screw through the hole in each spacer and screw to the hole on the bottom of the faucet.

Then, use a wrench to lock the locking nut.

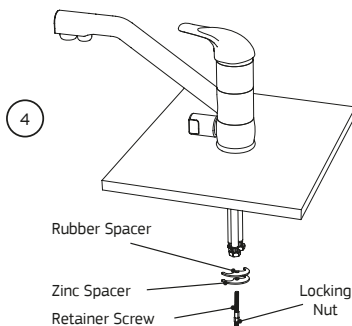
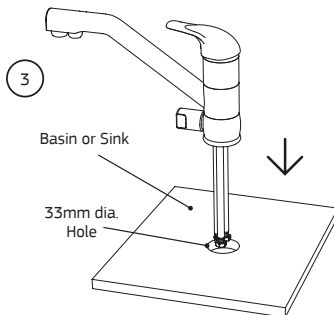
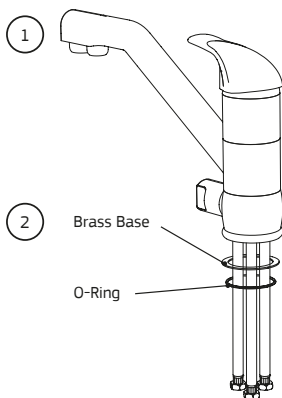


Fig. 3 - Water Connection Patterns

For ESR2-T1 & ESR2-T2

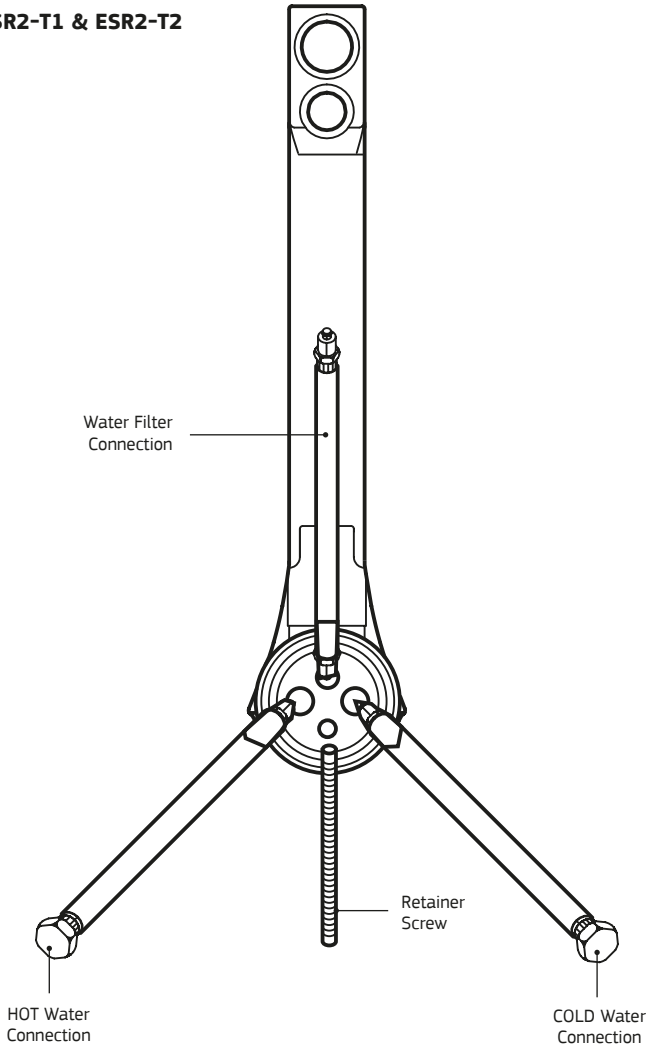
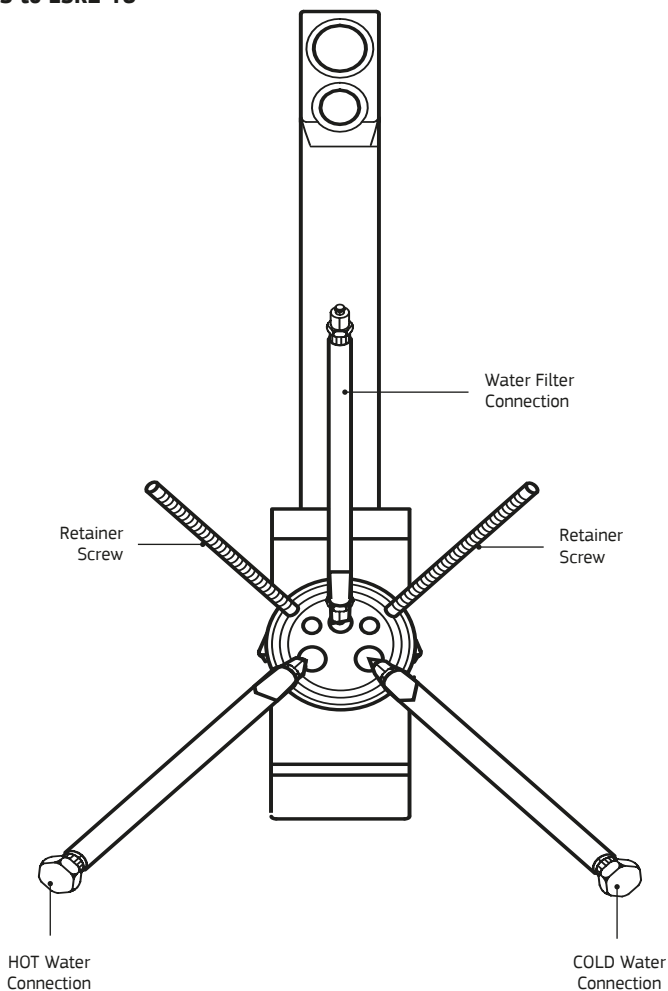


Fig. 4 - Water Connection Patterns

For ESR2-T3 to ESR2-T6



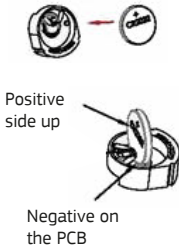
Battery Installation - LED reminder light

Important note: Battery must be replaced when changing cartridges.

1. Remove the black battery seat from the faucet canopy.



2. Install battery into the battery seat, positive side up.

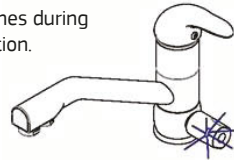


Note: Red light flashes twice and then followed by the blue light.



3. Reinstall battery seat assembly into the faucet canopy.

4. Blue light flashes during normal operation.



5. Red light flashes indicates your cartridges are due to be changed (usage has exceeded 3,000 minutes or 12 months). **Please change the battery when changing the filter cartridge(s).**



WARNING!

This product contains a button battery. Accidental ingestion may occur and can be fatal. Please keep out of reach from infants. If you suspect an accidental ingestion please contact emergency services.

Mixer Tap Servicing

Periodically clean the aerator for any lodged sediment that may restrict flow. A Puretec water filter is highly recommended on all incoming lines for product longevity.

Should it be necessary to have your mixer serviced while under warranty, please carry out the following procedure:

1. Firstly call the plumber, preferably the one that has installed it, (most problems are caused by the supply lines not being cleaned out properly, prior to connecting the mixers).
2. Make sure that the plumber has installed your mixer according to the Instruction Guide.
3. If the plumber is satisfied that he cannot rectify the problem then contact your plumbing supply store or your local Puretec stockist.

Important: We do not recommend the dismantling of any internal part of the mixer as this will breach your warranty.

Replacement of Ceramic Disc Cartridge(s)

1. Hot/Cold Outlet
 - Remove hot and cold water indicator then release screw in lever and lift lever off, now you can unscrew dome cap and loosen the cartridge lock nut.
 - Lift out old cartridge and clean inside making sure no old O-rings are still stuck inside cartridge housing.
 - Insert new cartridge making sure O-rings on bottom of new cartridge have not fallen off and lugs in bottom of cartridge line up with holes in cartridge housing.
 - Now you can tighten lock nut with a torque wrench to 14 newton meters, then reinstall dome cap, lever screw and hot and cold water indicator.
2. Filtered/Rain Ancillary Outlet
 - Remove front button cover using fine-edged 1.2mm screwdriver.
 - Unscrew handle then remove cartridge by unscrewing it anti-clockwise, using 5/8" socket. Install cartridge by completing removal instructions as above, in reverse order.
 - Ensure cartridge is firmly tightened not over tightened.

PART 2 - Filter System Installation

Installation Requirements

- Cold water line only.
- Power supply: AC 240V | 50Hz
- Supply pressure: 300-520 kPa. Install pressure limiting valve if pressure exceeds 500 kPa.

Note: For point of entry installations an approved dual check backflow prevention device must be installed.

- Supply temperature 0°-52°C (protect from freezing).
- Alternative fittings may be required if being connected to anything other than 15 mm threads.

Note: Only use thread seal tape. Do not use liquid sealant.

- Ensure the water supply flow rate does not exceed the rated maximum of the system.
- Ensure the electrical power supply to the system is sufficient, allowing for other appliances that may be connected to the circuit and ensuring it is surge protected. If in doubt, please consult a qualified electrician.
- Where the water being treated contains unusually high levels of dissolved solids particularly hard water, iron, manganese or biological organisms, a deposit build up on the quartz sleeve may occur over time. Maximum recommended parameters are as follows:

Iron:	less than 0.3 mg/L
Hydrogen Sulfide:	less than 0.05 mg/L
Suspended Solids:	less than 10mg/L
Manganese:	less than 0.05 mg/L
Hardness:	less than 110mg/L

Application warning: minimum water characteristics must be met before installation of Radfire™ to ensure proper operation and continuous protection.

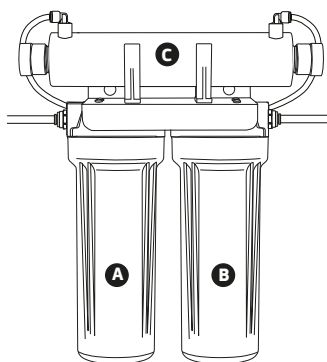
- Select suitable location that is close to the point of filtered water delivery (e.g. sink). Remember to allow access room for changing filters/lamp and a suitable place where water spillage will not cause damage. Location should not be in direct sunlight.
- An isolation valve may be installed prior to the system to isolate the unit for changing the cartridges, lamps and sleeve.

- Install the filter housing assembly by positioning it in the desired location, marking the position of fixing holes and fixing with mounting screws. Allow room for the connecting tubes and for removing the filter bowls (50 mm).

Replacement Guide

To maintain the high quality of the purified water the cartridges need changing every 6 - 12 months (this is dependant on water quality and usage).

You can obtain replacement cartridges and/or lamp from your local Puretec dealer and to maintain performance and warranty use genuine Puretec replacements.



Replacement Parts:	ESR2
A) Sediment Cartridge	PL051
B) Taste & Odour Cartridge	MC011-S
C) UV Lamp	RL2
Quartz Sleeve	RQS2

Replace cartridges every 6 - 12 months. Replace lamp every 12 months.

Filter System Installation

This system comes complete with an installation kit enabling it to be connected to 15mm (½") male thread.

Installation Procedure

1. Before attempting installation, check all components are intact and have not been damaged in transit.
2. Locate a suitable position for the system remembering to allow 50 mm under the unit and 350 mm clearance to the side of the unit for lamp changes. A power outlet is required.
3. Isolate water supply and cut copper pipe ready to install the SmartTee™.
4. Connect the Smart Tee to a piece of white tubing (see Fig. 7 SmartTee™ Quick Connect Fitting). Allow slack in tubing.

5. Connect another piece of white tubing into the filtered water flexible hose on the mixer tap securing with the nut found on the flexible hose (plain). Allow slack in tubing.
6. Connect cold water flexible hose (blue streak) to cold mains water supply and the hot water flexible hose (red streak) to the hot water supply.
7. Unscrew the aluminium nuts on each end of the chamber on the ESR2 unit.

Never touch the quartz (glass) and lamp surface as marks or fingerprints may interfere with UV transmission. If lamp is soiled, please clean lamp with an alcohol based cleaner.

8. Take the quartz sleeve out of its packaging and slide one of the two O-rings over one end of the quartz sleeve.
9. Carefully slide the quartz sleeve into the chamber via the end with no O-ring and attach the second O-ring onto the end once it is in place.
10. Screw the aluminium nuts back onto to each end of the chamber.
11. The ESR2 unit has 2 mounting key holes at the rear of the bracket. Mark the desired position on the wall where the fixings are required to go. (you may need to unclip and remove the lamp chamber to do so).
12. Drill the holes and install the anchors (fixing anchors not included).
13. Position the ESR2 unit on the wall. Insert and tighten the fixings to hold the system securely to the wall.
14. Connect inlet and outlet tubes to the ESR2 unit (see Fig. 6 How to Use Quick Connect Fittings)
15. Unclip and remove the lamp chamber from the bracket.
16. Slowly insert UV lamp into chamber through the hole of the aluminium nut end. Connect the lamp connector to the pins on the lamp. Do not let go of the lamp until the lamp is connected to the socket.
17. Place the safety cap on the aluminium nut end. Plug in power connector (ballast).
18. Ensure filter bowls have not loosened in transit. Tighten filter bowl until firm if needed. **HAND TIGHTEN ONLY. DO NOT OVER TIGHTEN.**
19. Turn the water on, let the water flow through – opening the downstream tap to flush the unit for 1-2 minutes. Then check the system thoroughly for leaks.

Note: For initial use, wait 3-5 minutes to allow water to pass through the whole unit. Turn on a downstream tap to let water flow through the unit for 2-3 minutes to release air and impurities from the system.

20. Turn the power on and ensure that the lamp is operating. Make sure that the GREEN LED is illuminated.

Fig. 5 - Installation Diagram

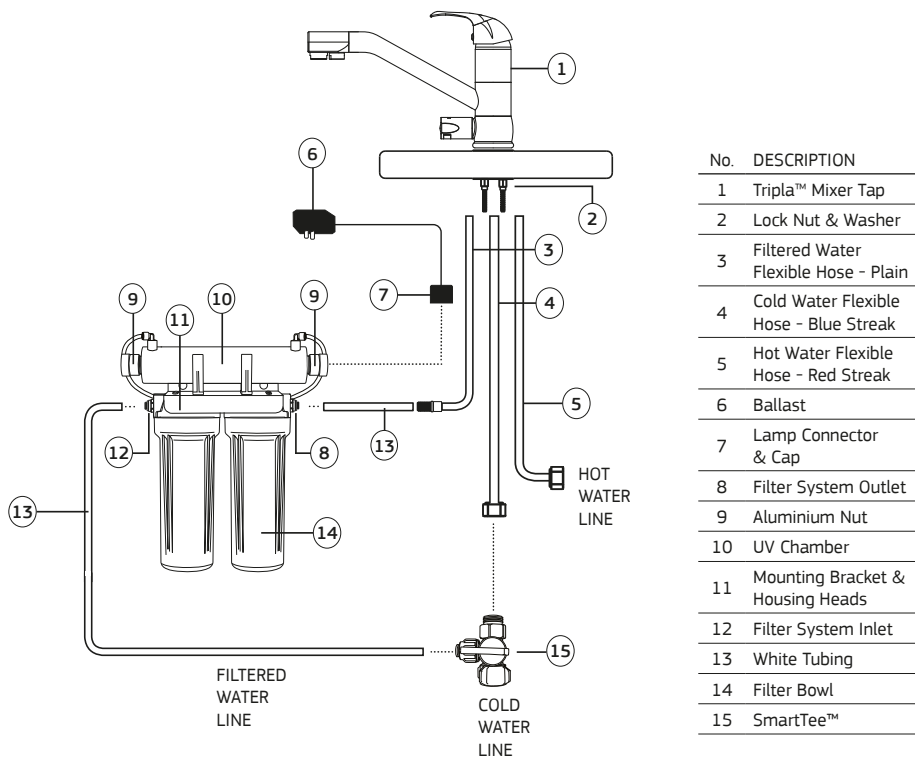
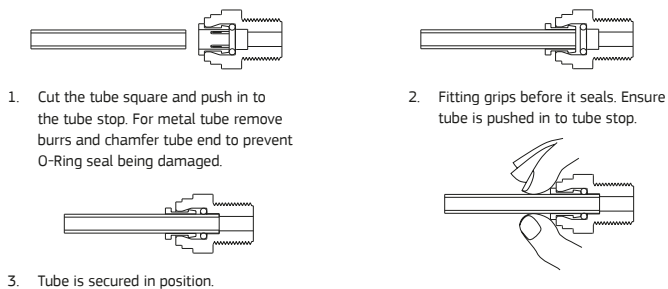


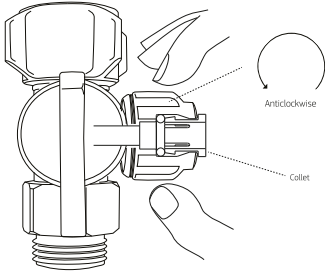
Fig. 6 - How To Use Quick Connect Fittings



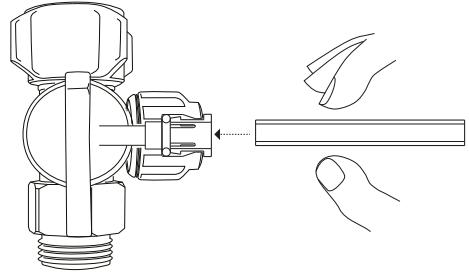
DISCONNECTION PROCEDURE

4. Push collet against body and slide tube out of fitting.

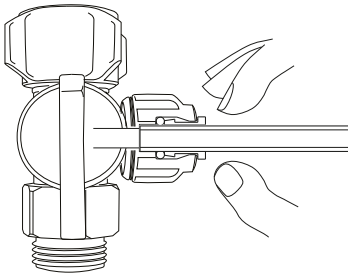
Figure 7 - SmartTee™ Quick Connect Fitting



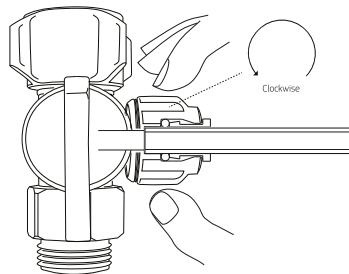
1. Turn the quick connect nut on the SmartTee™ anticlockwise to release the collet.



2. Cut the tube square and push into the tube stop (inside the collet). For metal tube; remove burrs and chamfer tube end to prevent O-ring seal being damaged.



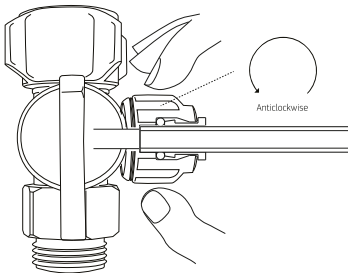
3. The fitting grips before it seals. Ensure the tube is pushed all the way into the tube stop.



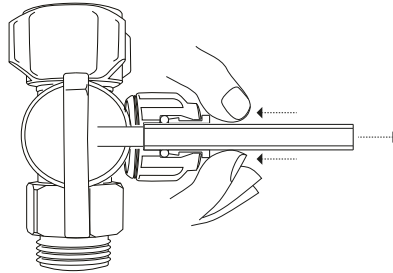
4. Once the tube is secured in position, turn the quick connect nut clockwise to secure.

Note: Hand tighten only. Do not overtighten.

DISCONNECTION PROCEDURE



5. Turn the quick connect nut on the SmartTee™ anticlockwise to release the collet.



6. Push the collet against the quick connect nut and slide tube out of fitting.

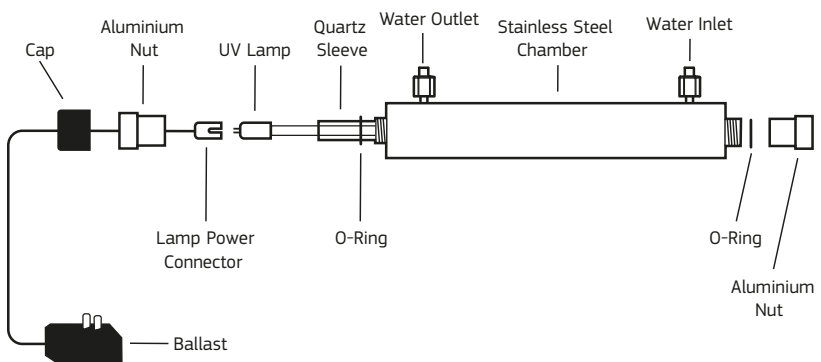
UV Lamp Installation / Replacement

Prior to performing any work on the UV steriliser system, always disconnect the power supply and allow unit to cool. The treated water will seem warm for a short period at first flow. This is because the UV lamp emits heat to kill bacteria. When turning on a tap, let the water run for a short time to purge any warm water.

Warning: Do not look directly into ultraviolet rays emitted from the UV lamp as they will cause serious burns to unprotected eyes.

1. Isolate the water to the unit and release the water pressure by opening up the mixer tap.
2. Place a container below the unit, in case of drips.
3. Slowly pull the black the black lamp cap off, being careful not to detach the lamp inside. Do not use a twisting motion as this will unscrew the aluminium nut underneath, simply pull outward. Re-tighten the aluminum nut once the lamp connector is removed, if required.
4. Remove the old lamp from the connector and dispose of accordingly.
5. Remove the new lamp from its packaging and insert the metal prongs into the lamp connector.
6. Carefully re-insert the lamp back into the chamber and securely fit the black lamp connector back onto the metal nut.
7. Turn the water on, let the water flow through & check for leaks.
8. Turn the power on and ensure that the lamp is operating. Make sure that the GREEN LED is illuminated.

Fig. 8



Cartridge Installation/Changeout

To change the filter cartridges adhere to the following procedure.

1. Isolate the water to the unit and release the water pressure by opening up the mixer tap.
2. Unscrew Filter Housing using the spanner wrench and discard cartridges. When removing housings place a container underneath to catch any spillage.
3. Cleanse the inside of the housing using hot water and detergent. Check O-Ring and lubricate with food grade silicone lubricant (or similar). Replace O-Ring if kinked or damaged.
4. Install new cartridges and replace housing screwing them up **HAND TIGHT ONLY**. Sediment filter is on the inlet side and chemical on the outlet side.
5. Restore water supply & check for leaks, rectifying them, if any, before leaving the unit.
6. After installing cartridges flush unit for 5 - 10 minutes.

Important note: When replacing cartridge, ensure you reset the LED (see page 8).

Cleaning Quartz Sleeve

To ensure a high sterilising rate with best water quality, check sleeve regularly (about every 3 months depending on quality of water source). To see whether there is dirt or substances gathered. Follow maintenance Quartz Sleeve Maintenance Procedure below.

Quartz Sleeve Maintenance Procedure

1. Unplug the power supply and allow the system to cool before beginning any maintenance. Isolate the water to the unit and release the water pressure by opening up the tap.
2. Place a container below the unit, in case of drips. Remove UV lamp before taking out the quartz sleeve and pour out water. Turn counterclockwise the aluminium nut both sides of the chamber and extremely gently to remove the quartz sleeve.
3. Clean the quartz sleeve with Puretec Quartz Sleeve Cleaner **SC1000**. If the glass will not come up clear/clean you will need to install a new replacement quartz sleeve. Slide one of the two O-rings back over one end of the quartz sleeve.
4. Carefully slide the quartz sleeve into the chamber via the end with no O-ring and attach the second O-ring onto the end once it is in place.
5. Dampen the O-ring seals on either end and screw the aluminium nuts back onto each end of the chamber.
6. Insert UV lamp into stainless steel chamber and put on the lamp cap. Turn the water on, let the water flow through & check for leaks.
7. Turn the power on.

Fig 9. - Tripla T1 Parts Discription

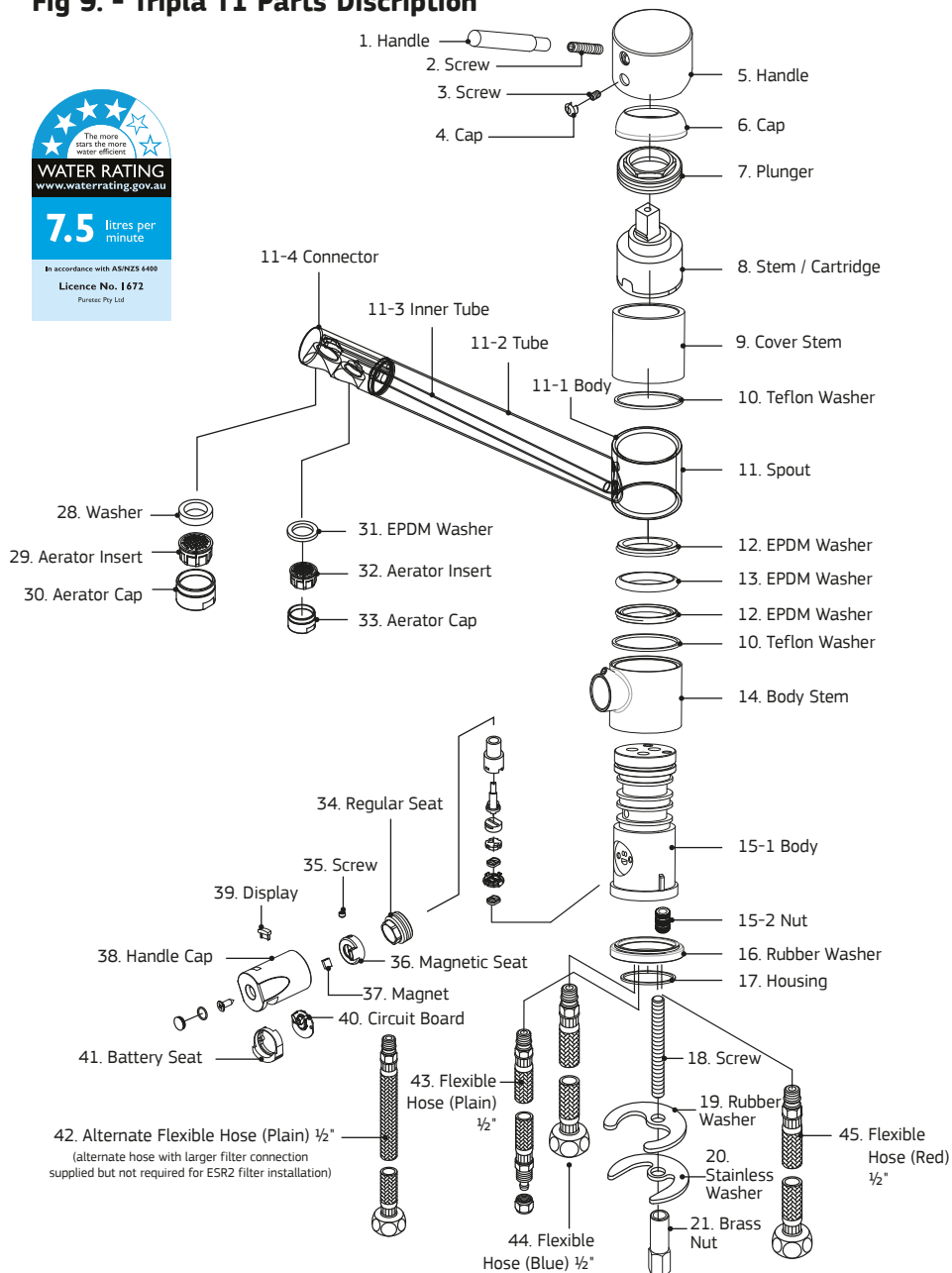


Fig. 10 - Tripla T2 Parts Description

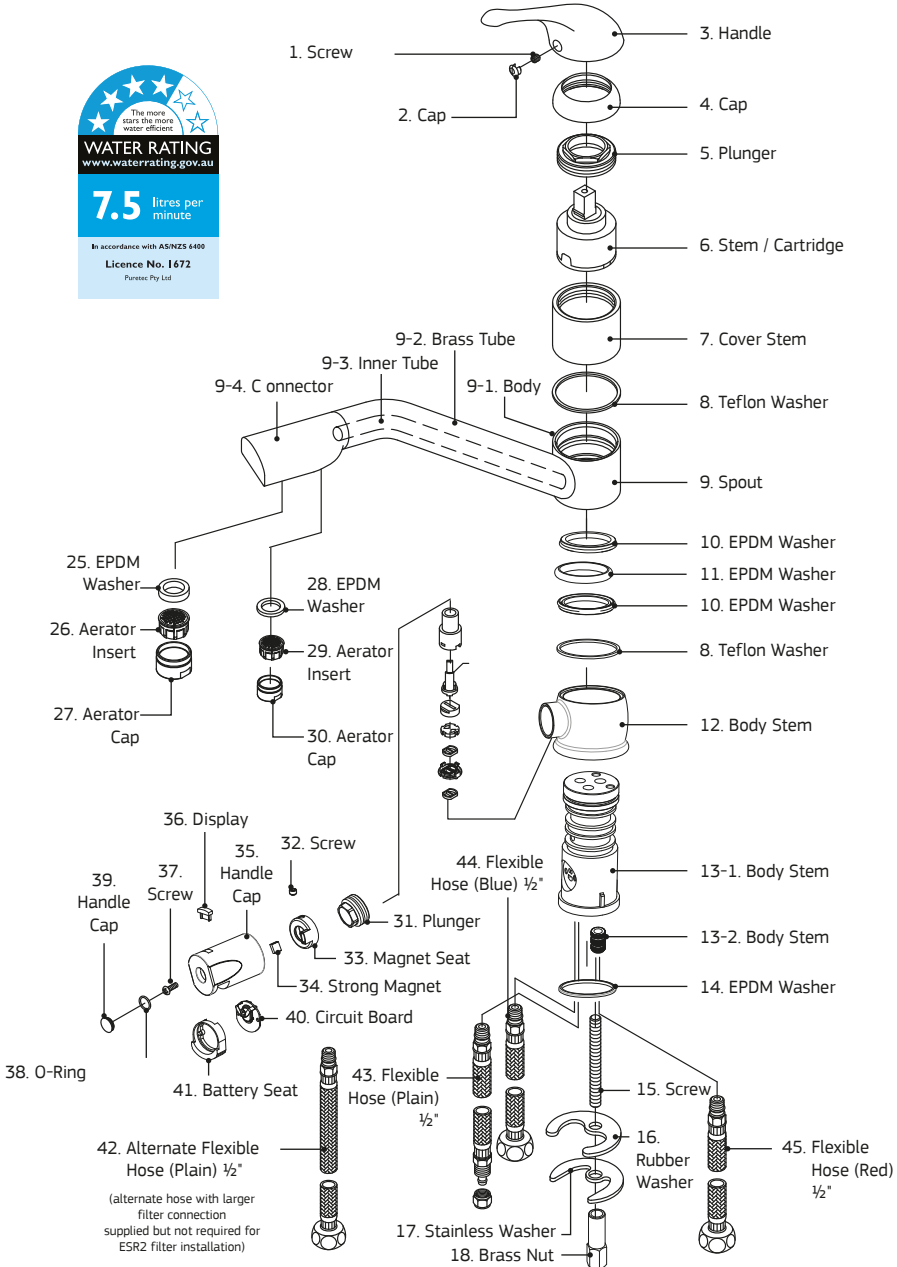


Fig. 11 - Tripla T3 Parts Description

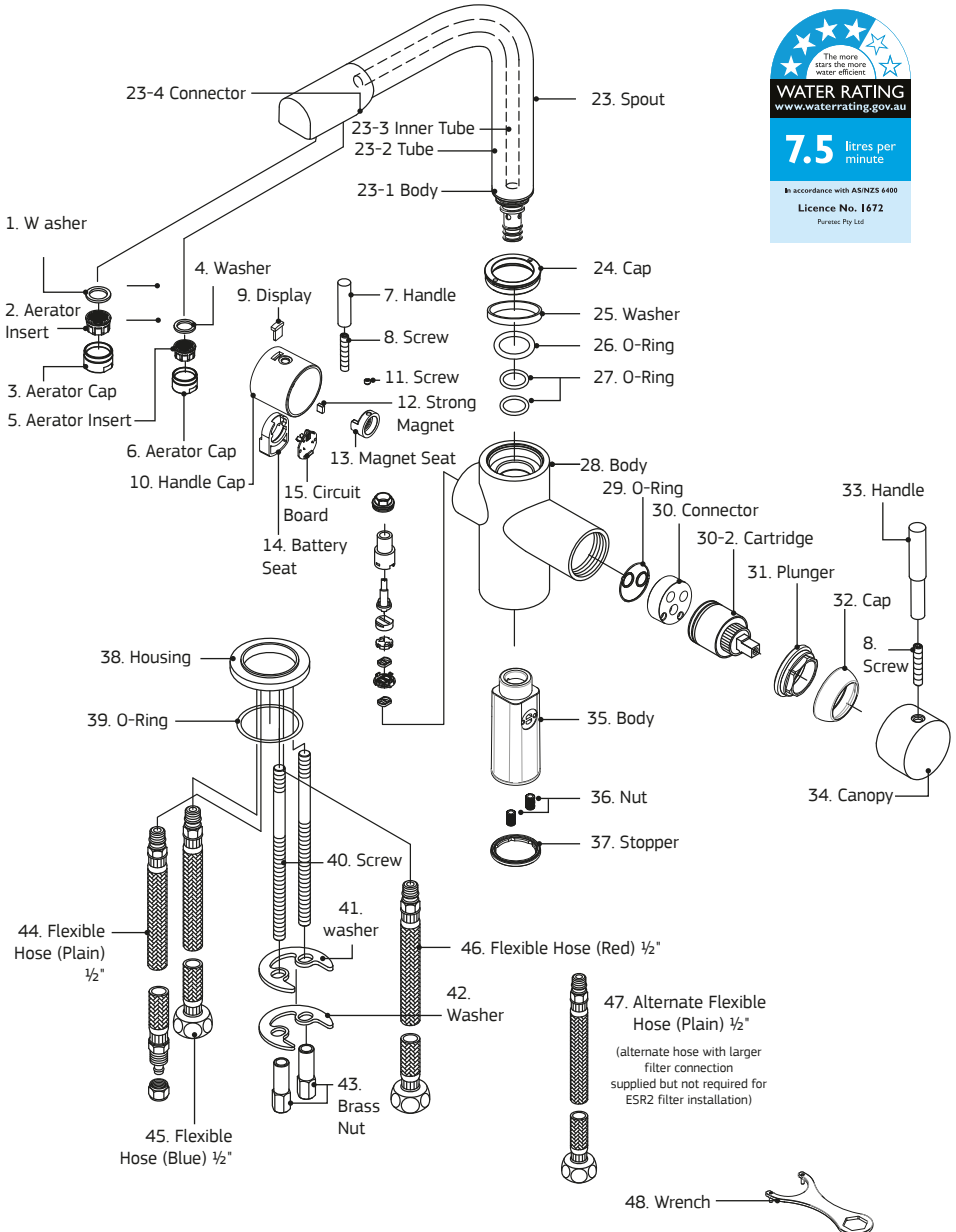


Fig. 12 - Tripla T4 Parts Description

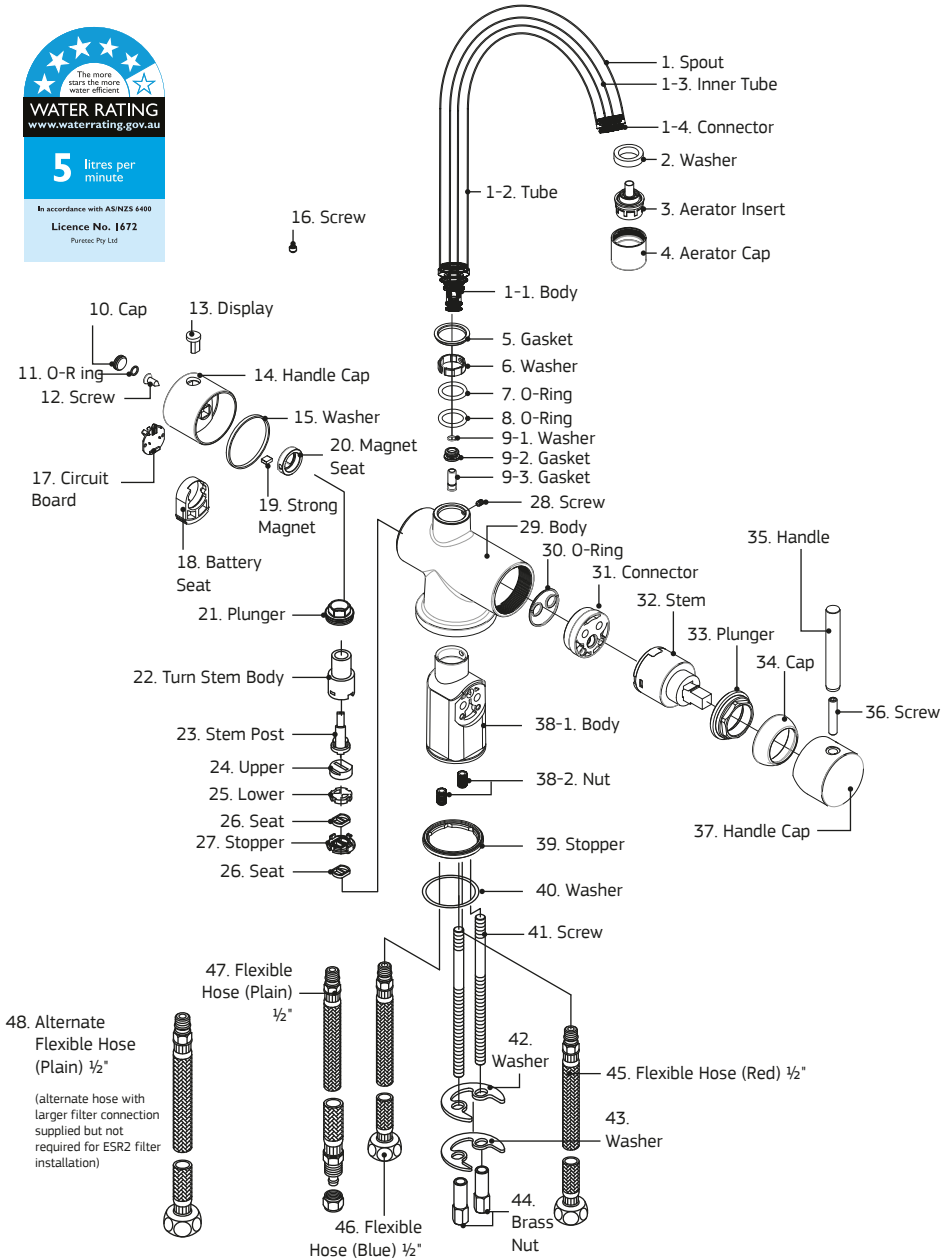


Fig. 13 - Tripla T5 Parts Description

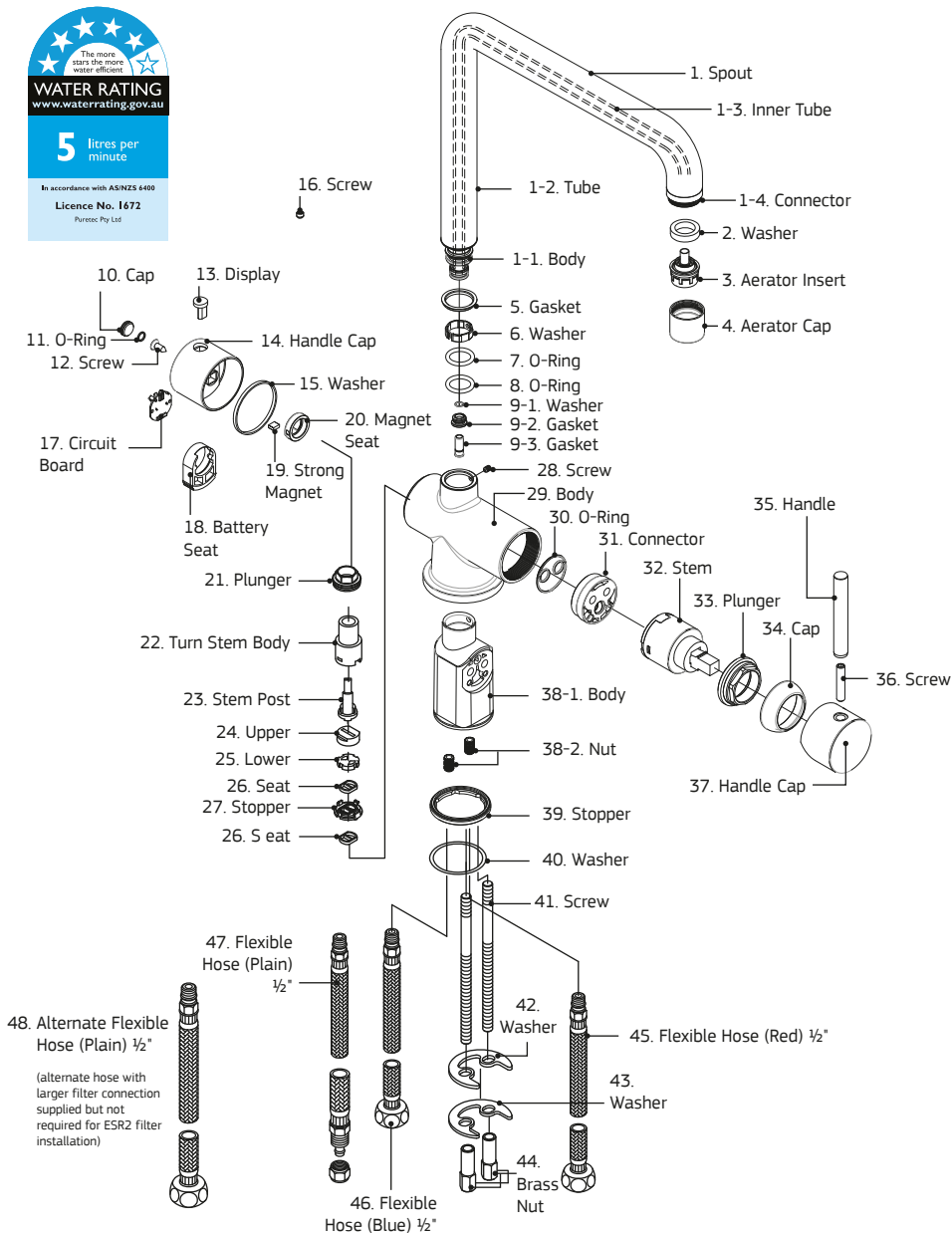
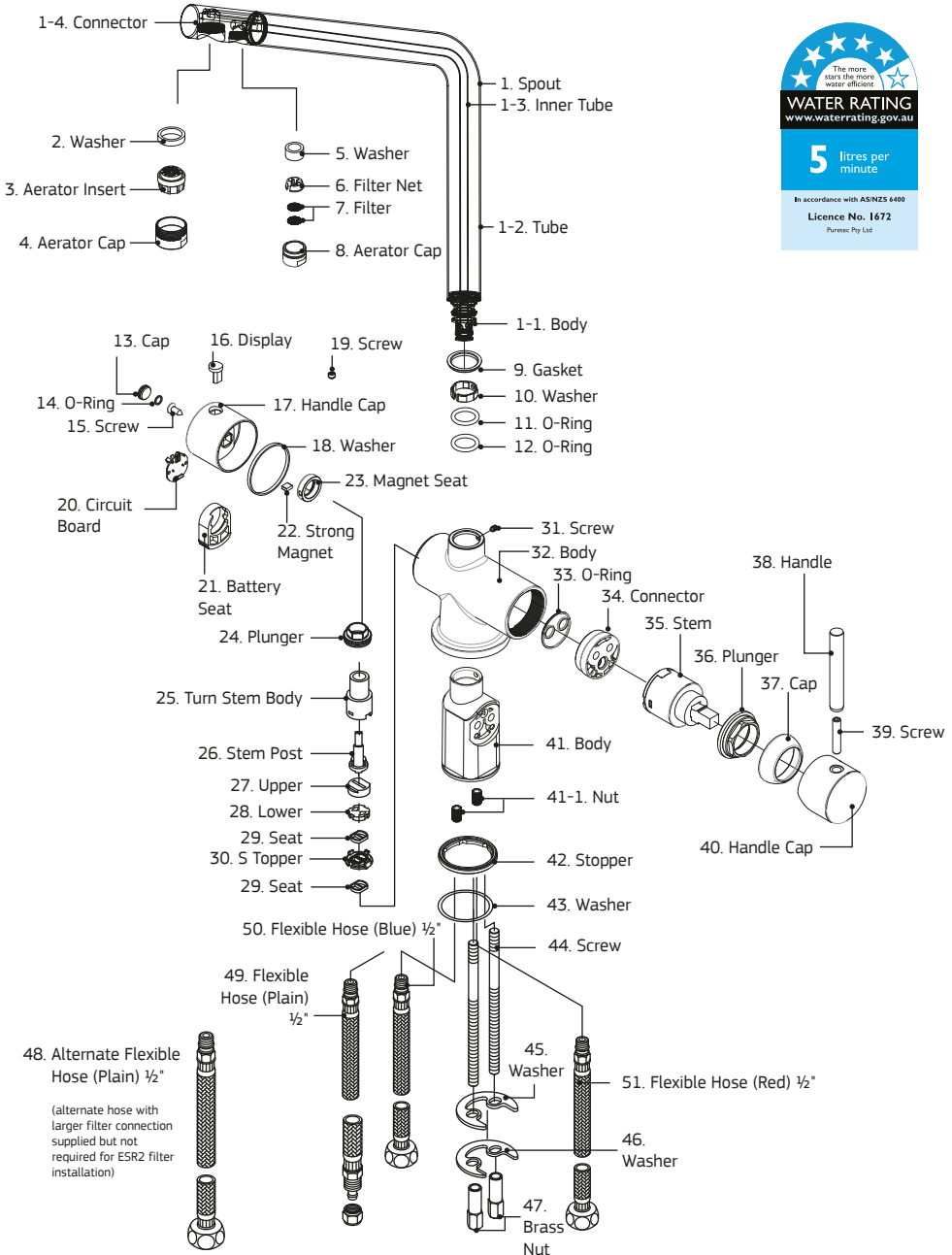


Fig. 14 - Tripla T6 Parts Description



Notes

Puretec water care products are designed, manufactured and supported by Puretec Pty Ltd the name you can trust for viable and proven water solutions. The complete range of Puretec products are developed, refined, made to meet and exceed stringent specifications for the worldwide market.

Important: Sales of products are subject to our Terms and Conditions which are available upon request. All specifications, information and photos are a guide only and are subject to change without notice. Please ring to confirm details. Warning: For correct operation of this appliance it is essential to observe manufacturer's instructions.

Warranty

Any claim under this warranty must be made within 6 Years of the date of purchase of the product. This product is warranted to be free of defect of material and workmanship for 6 Years from date of purchase. Warranty is 6 years parts, 1 year parts and labour, excludes cartridge.

To make a claim under the warranty, take the product and proof of purchase to place where you purchased the product, and they will lodge a Warranty Request with Puretec.

Puretec will pay your reasonable, direct expenses of claiming under this warranty. You may submit details and proof of your expense claim to place of purchase for consideration.

The warranty only applies if the product was used and/or installed in accordance with the user guide and/or installation instructions. This warranty is given in lieu of all other express or implied warranties and manufacturer shall in no circumstance be held liable for damages consequential or otherwise or delays caused or faulty manufacturing except as excluded by law.

Applicable to all above, is that the warranties need to be approved by Puretec to ensure product was not incorrectly used, installed or claimed. False and incorrect claims will be pursued at Puretec's discretion, including chargeable inspection and labour costs incurred.

All installation and service work should be completed by qualified tradespeople. Faulty operation due to unqualified persons will result in voided warranty coverage.

Warranty/Australia

This warranty is given by Puretec Pty Ltd, ABN 44 164 806 688, 37-43 Brodie Road, Lonsdale SA 5160, telephone no. 1300 140 140 and email at sales@puretec.com.au.

This warranty is provided in addition to other rights and remedies you have under law: Our goods come with guarantees which cannot be excluded under the Australian Consumer Law. You are entitled to replacement or refund for a major failure and to compensation for other reasonably foreseeable loss or damage. You are also entitled to have the goods repaired or replaced if the goods fail to be of acceptable quality and the failure does not amount to a major failure.

Warranty/New Zealand

This warranty is given by Puretec Ltd, Reg. No 4464398, PO Box 875 Cambridge 3450 NZ, telephone no. 0800 130 140 and email at sales@puretec.co.nz.

This warranty is provided in addition to other rights and remedies you have under law: Our goods come with guarantees which cannot be excluded under the Consumer Guarantees Act. You are entitled to replacement or refund for a major failure and to compensation for other reasonably foreseeable loss or damage. You are also entitled to have the goods repaired or replaced if the goods fail to be of acceptable quality and the failure does not amount to a major failure.



Puretec[®]
PERFECTING WATER

AUSTRALIA

P 1300 140 140

E sales@puretec.com.au

W puretec.com.au

NEW ZEALAND

P 0800 130 140

E sales@puretec.co.nz

W puretec.co.nz