

Qty. Description

1 UNILIFT AP12.40.04.A1



Note! Product picture may differ from actual product

Product No.: [96023914](#)

Submersible drainage pump type

Vertical single-stage stainless steel submersible pump with vertical discharge port and integrated submersible 1-phase totally enclosed motor in insulation class F with thermal overload protection.

The pump is fitted with suction strainer and level switch for automatic start and stop.

The impeller is a SEMI OPEN impeller for groundwater, surface water, rain water and similar.

The pump has a double shaft seal and an intermediate oil chamber pre-filled with non-toxic special oil.

The pump has a riser pipe, a cooling jacket for continuous cooling of the motor by the pumped liquid and long-life deep-groove greased-for-life ball bearings.

The pump is ready for use as it is fitted with carrying handle and is supplied with a 10 m mains cable. The mains cable is of the plug type with glass sealing compound in the socket to prevent penetration of humidity into the stator windings.

Liquid:
 Liquid temperature range: 0 .. 55 °C
 Density: 998.2 kg/m³

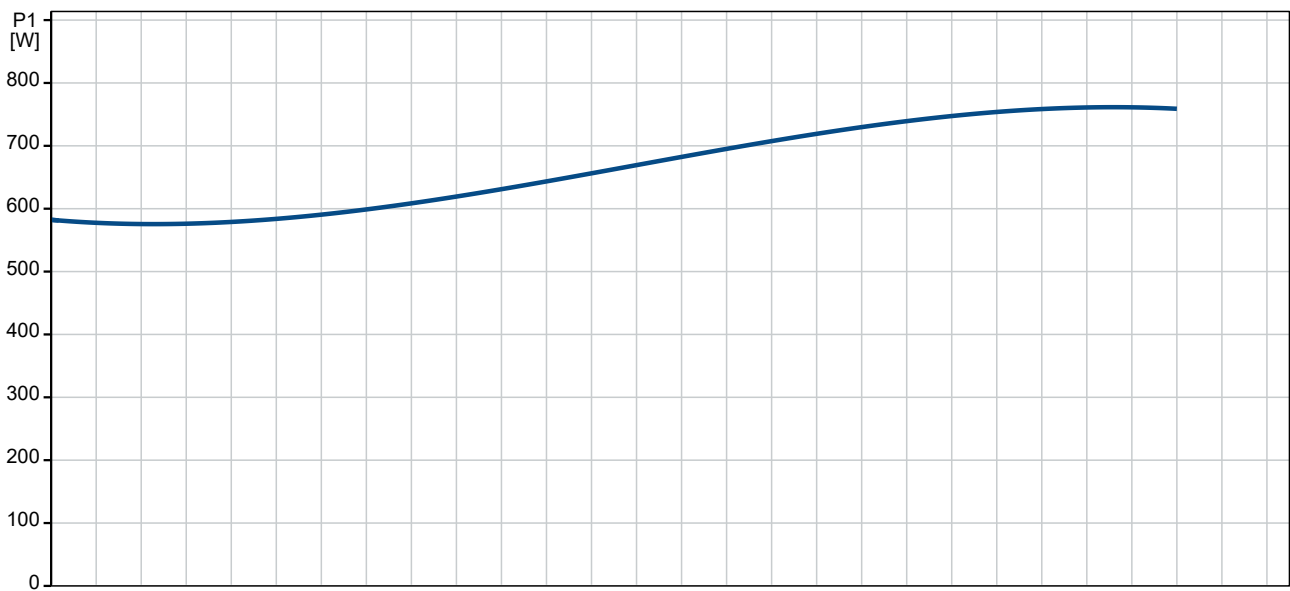
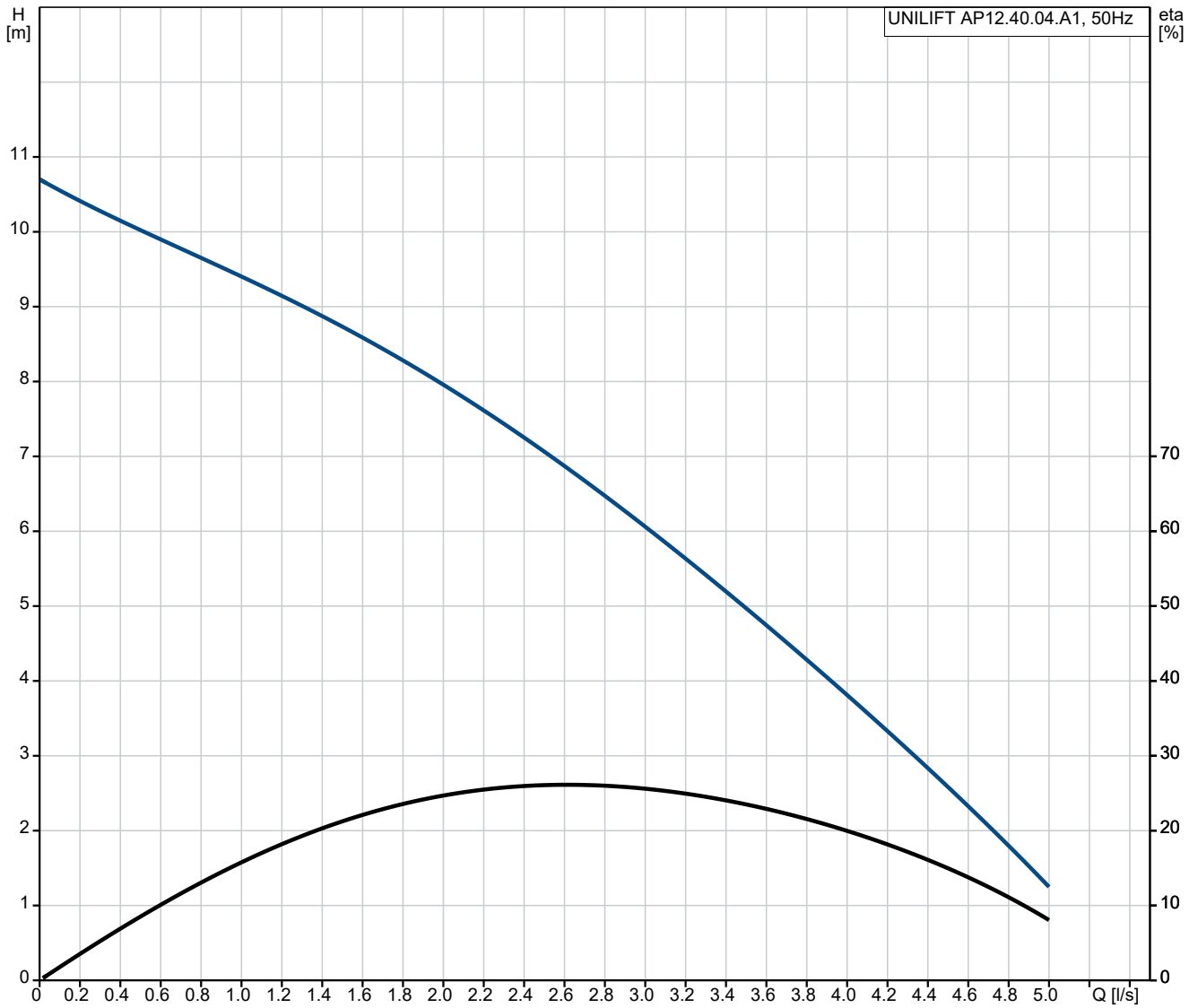
Technical:
 Maximum flow: 3.89 l/s
 Type of impeller: SEMI OPEN
 Max. Particle: 12 mm
 Approvals: CE,RCM,VDE,LGABG,EAC,TUVRHWID
 Rated speed: 2770 rpm

Materials:
 Pump housing: Stainless steel
 EN 1.4301

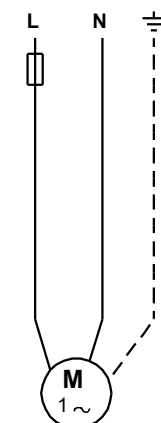
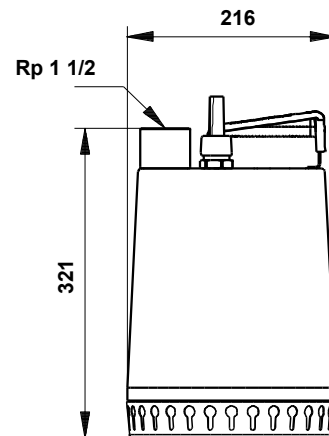
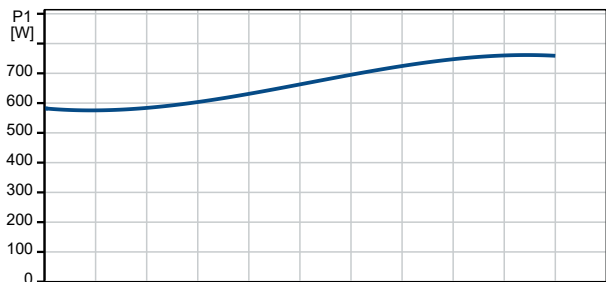
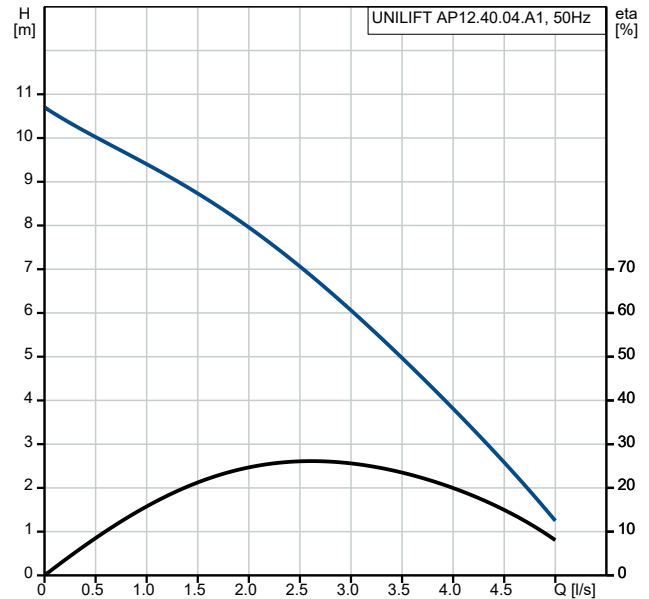
Qty. Description

1	<p>Impeller: AISI 304 Stainless steel EN 1.4301</p> <p>Cable union: AISI 304 Brass CW602N C35330</p> <p>Installation: Range of ambient temperature: 0 .. 55 °C Type of connection: Rp Size of connection: 1 1/2 inch Maximum installation depth: 7 m Place of installation: Indoor/outdoor</p> <p>Electrical data: Power input P1: 0.7 kW Motor type 1-phase: PSC Rated power - P2: 0.4 kW Mains frequency: 50 Hz Rated voltage: 1 x 230 V Rated current: 3 A Cos phi - power factor: 0.99 Rated speed: 2770 rpm Capacitor size - run: 12 µF/400 V Enclosure class (IEC 34-5): IP68 Insulation class (IEC 85): F Length of power cable: 10 m Type of cable plug: AU</p> <p>Others: Net weight: 10.7 kg Gross weight: 11.7 kg Country of origin: DK Custom tariff no.: 8413700100 Environmental approvals: WEEE</p>
---	--

96023914 UNILIFT AP12.40.04.A1 50 Hz



Description	Value
General information:	
Product name:	UNILIFT AP12.40.04.A1
Product No:	96023914
EAN number:	5700390548599
Price:	NZD 1288
Technical:	
Maximum flow:	3.89 l/s
Maximum head:	10 m
Type of impeller:	SEMI OPEN
Max. Particle:	12 mm
Approvals:	CE,RCM,VDE,LGABG,EAC,TUV RHWID
Rated speed:	2770 rpm
Materials:	
Pump housing:	Stainless steel
Pump housing:	EN 1.4301
Pump housing:	AISI 304
Impeller:	Stainless steel
Impeller:	EN 1.4301
Impeller:	AISI 304
Cable union:	Brass
Cable union:	CW602N
Cable union:	C35330
Installation:	
Range of ambient temperature:	0 .. 55 °C
Type of connection:	Rp
Size of connection:	1 1/2 inch
Maximum installation depth:	7 m
Inst dry/wet:	D/S
Installation:	horizontal or vertical
Place of installation:	Indoor/outdoor
Liquid:	
Liquid temperature range:	0 .. 55 °C
Density:	998.2 kg/m ³
Electrical data:	
Power input P1:	0.7 kW
Motor type 1-phase:	PSC
Rated power - P2:	0.4 kW
Mains frequency:	50 Hz
Rated voltage:	1 x 230 V
Rated current:	3 A
Cos phi - power factor:	0.99
Rated speed:	2770 rpm
Capacitor size - run:	12 µF/400 V
Enclosure class (IEC 34-5):	IP68
Insulation class (IEC 85):	F
Built-in motor protection:	CONTACT
Thermal protec:	internal
Length of power cable:	10 m
Type of cable plug:	AU
Controls:	
Level switch:	float switch
Others:	
Net weight:	10.7 kg
Gross weight:	11.7 kg
Country of origin:	DK
Custom tariff no.:	8413700100
Environmental approvals:	WEEE

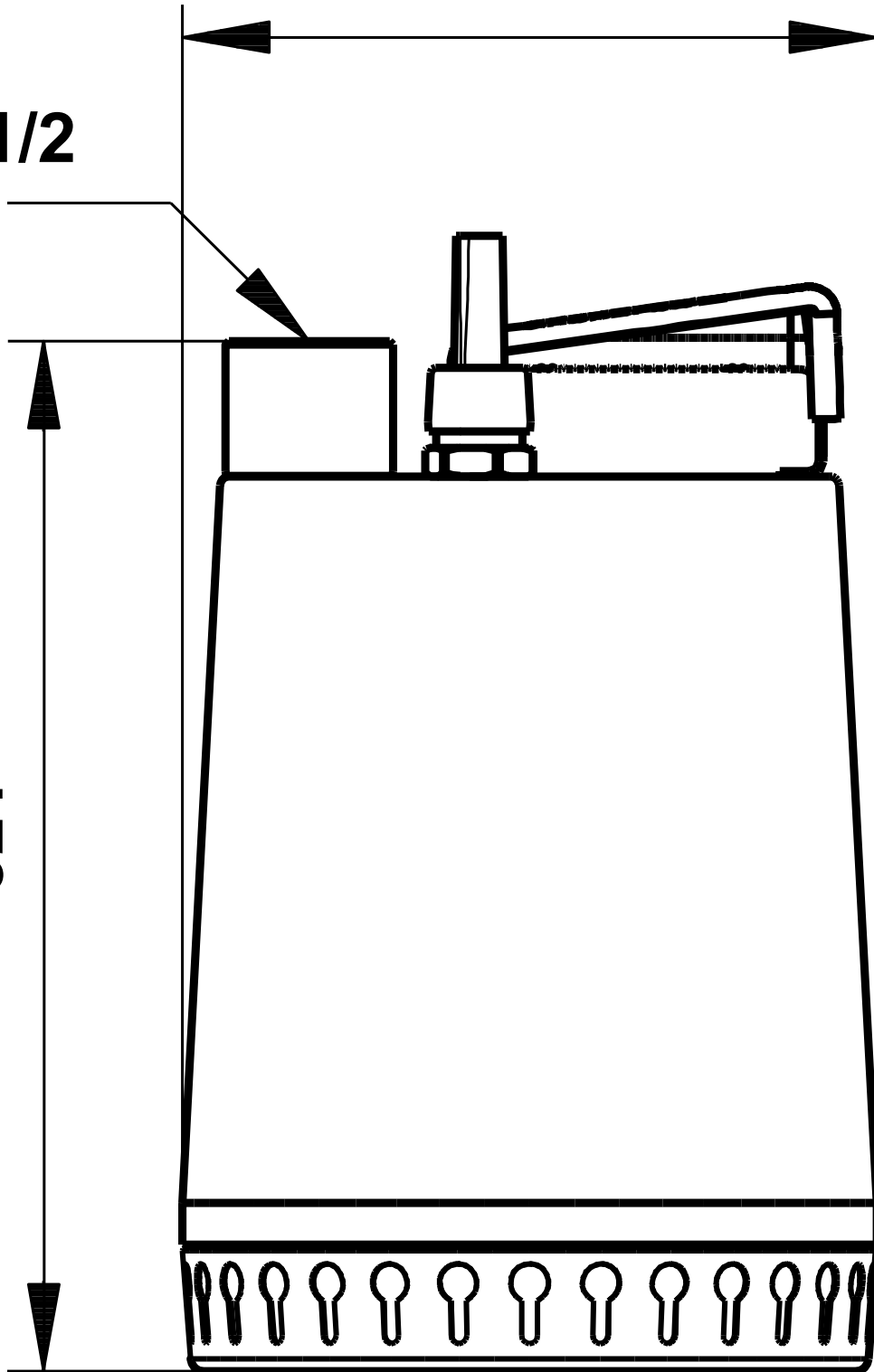


96023914 UNILIFT AP12.40.04.A1 50 Hz

Rp 1 1/2

216

321



Note! All units are in [mm] unless others are stated.
Disclaimer: This simplified dimensional drawing does not show all details.