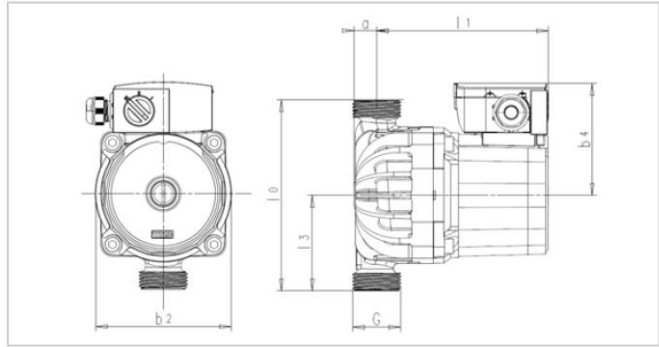


Type : ZRS Ku

This circulator is suitable for drinking water only



Connections G3/4" or G1" :

- > Maximal torque : 40Nm
- > Screwed on minimum 3 threads
- > Gasket (EP856, EP80/2 or equivalent)
- $\varnothing 24 \times \varnothing 16 \times 2,1$ (G3/4")
- $\varnothing 30 \times \varnothing 21 \times 2,1$ (G1")

Item	n	P1 (W)	I (A)	Capacitor (μf / VDB)
ZRS15/6Ku	2450	85	0.38	2.6/400
	2000	63	0.29	
	1450	45	0.21	

Dimensions:

Item	Thread G	I0	I1	I3	a	B2	B4
ZRS15/6Ku	1"	130	116.5	65	15.5	92.5	76

